

M802

Car-O-Tronic Support Stand



M802 with Measuring Bridge and Car-O-Tronic Vision2 X3

BENEFITS AND FEATURES

- **Fast set-up and diagnosis** — no need to mount on an alignment bench
- **Compatible with Car-O-Tronic** Classic and Vision X3 measuring systems
- **Automatic surface alignment** with measuring bridge
- **Adjustable to 3 heights** — giving the best working conditions for the technician

Car-O-Liner's M802 support stand for Car-O-Tronic measuring systems allows for quick assessment of vehicle damage. Simply raise the vehicle on a 2-post lift and roll the M802 with the Car-O-Tronic measuring slide under to make a quick and accurate diagnosis without having to mount the vehicle on an alignment bench.



Save time - make money!



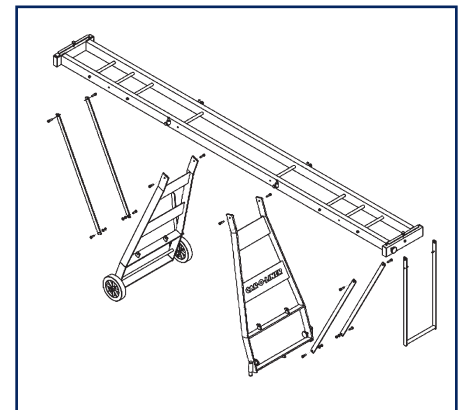
The surface of the wagon adjusts itself automatically in relation to the surface of the measuring bridge.



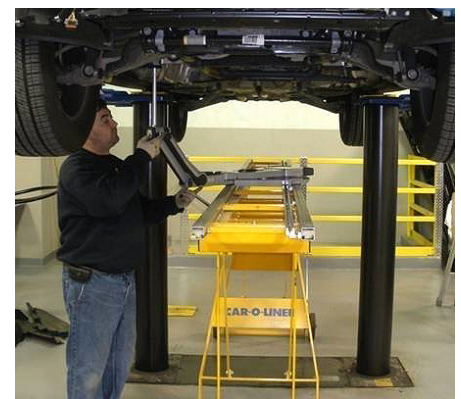
Spring-loaded, lockable support legs.



The height is easily adjustable to 3 different levels and the wheels can be quickly raised for a solid support.



Quick and easy set-up — get started on the repair process in no time.



www.car-o-liner.com



Follow us on Facebook



Discover us on car-o-liner.com



Watch us on YouTube

CAR-O-LINER®

Car-O-Liner is recognized for its leadership in the marketplace by continuously delivering high quality products and exceptional customer service.

Distributor